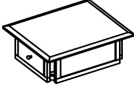
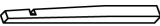






ASSEMBLY INSTRUCTIONS SM1624

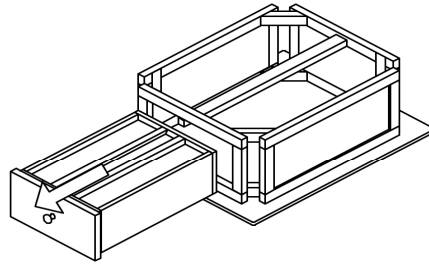
PARTS CHECK LIST

Item	Part name	Qty.
A		1
B		4
C		1

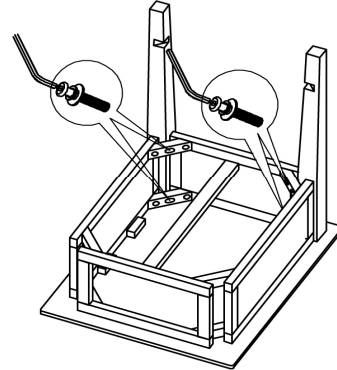
Thank you for purchasing this product. It has been designed for assembly so please follow the assembly instruction below

HARDWARE

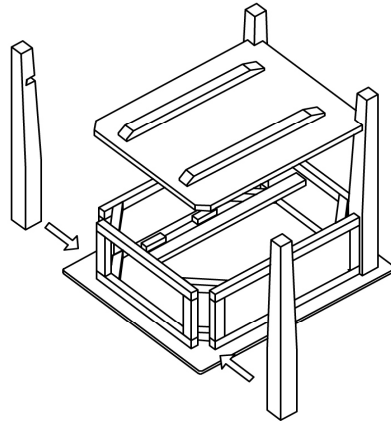
Item	Description		Qty.
	Photo	Specification	
C		Bolts 5/16"x60mm Lock washer 5/16" Flat washer 5/16"	8
D		Screw 4x40mm	4
E		4x60mm	1



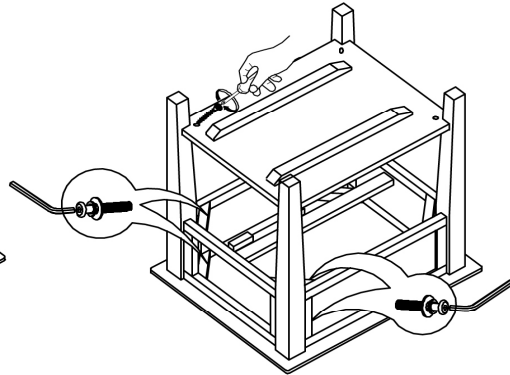
STEP 1



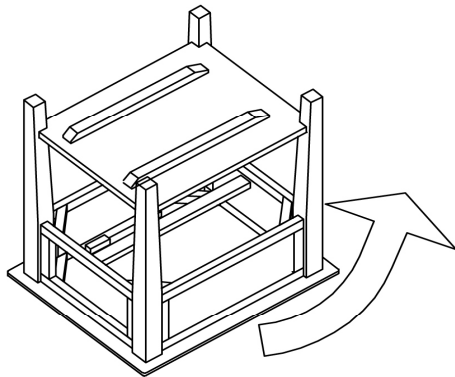
STEP 2



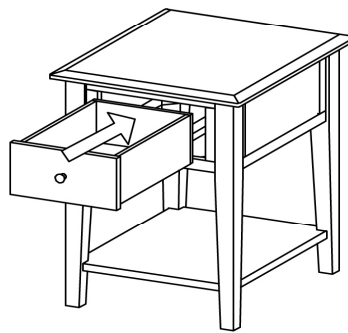
STEP 3



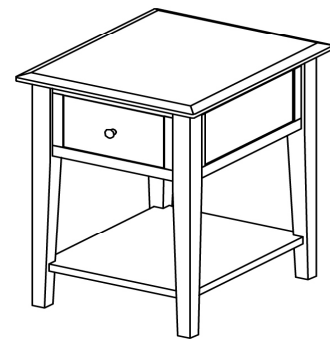
STEP 4



STEP 5



STEP 6



FINISH

